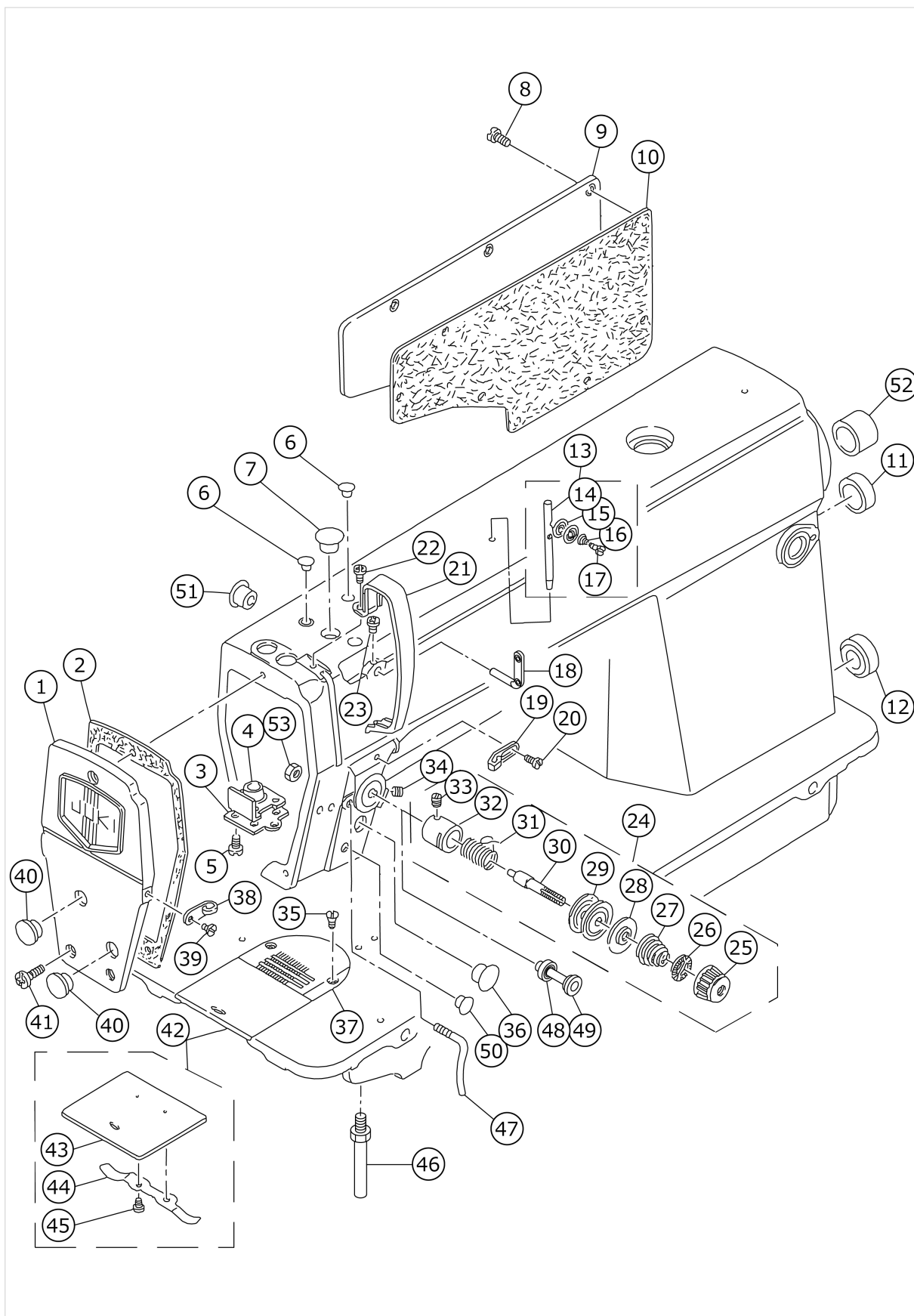


DLN-5410 SERIES

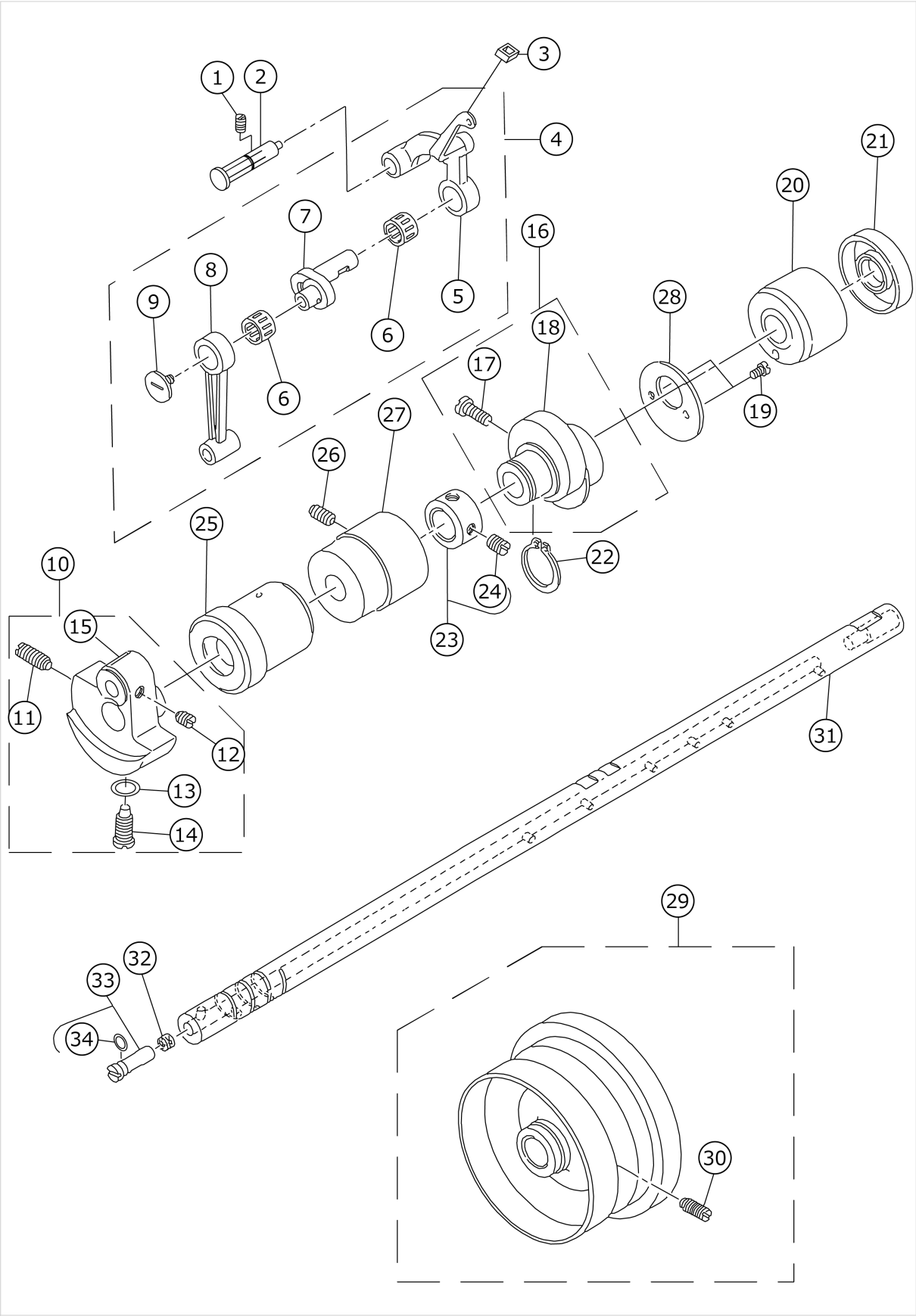
MACHINE FRAME & MISCELLANEOUS COVER COMPONENTS



No.	品番	品名	備考	子部品	消耗品	個数
1	11300258	FACE PLATE ASM.				1.00
2	11300506	FACE PLATE GASKET				1.00
3	11300407	PRESSER BAR SUPPORT				1.00
4	11300605	GASKET				1.00
5	SS1120710SP	SCREW 3/16-28 L=6.5				4.00
6	TA0850604R0	RUBBER PLUG				2.00
7	TA1250705R0	RUBBER PLUG				1.00
8	SS4120915SP	SCREW 3/16-28 L=9				8.00
9	11000510	SIDE PLATE				1.00
10	11000619	GASKET				1.00
11	TA2000502R0	RUBBER PLUG				1.00
12	TA2101002R0	RUBBER PLUG				1.00
13	B11131550A0	NEEDLE THREAD GUIDE PIN ASM.				1.00
14	B1113155000	NEEDLE THREAD GUIDE PIN		*		1.00
15	B3148123000	TENSION DISC		*		2.00
16	B3149123A00	TENSION SPRING		*		1.00
17	SD0380552SL	HINGE SCREW D=3.8 H=5.5		*		1.00
18	11018702	TWO-HOLE THREAD EYELET				1.00
19	11018504	ARM THREAD GUIDE A				1.00
20	11001500	SCREW				1.00
21	11000700	THREAD TAKE-UP LEVER COVER				1.00
22	SS4120615SP	SCREW 3/16-28 L=6				1.00
23	SS4120615SP	SCREW 3/16-28 L=6				1.00
24	11018959	THREAD TENSION ASM.				1.00
25	11018900	TENSION NUT		*		1.00
26	B3120125000	ROTATING STOPPER		*		1.00
27	B3129012A00	TENSION SPRING		*		1.00
28	B3132552000	THREAD TENSION DISK PRESSER		*		1.00
29	B3126012000	THREAD TENSION DISK		*		2.00
30	B3115552000	TENSION POST		*		1.00
31	B3128012000	TAKE-UP SPRING		*		1.00
32	B3111552B00	TENSION POST SOCKET		*		1.00
33	SS8090670SP	SCREW 9/64-40 L= 5.5		*		1.00
34	SS8150710SP	SCREW 15/64-28 L=7				1.00
35	SS2110920TP	SCREW 11/64-40 L=8.5				2.00
36	TA1250504R0	RUBBER PLUG				1.00
37	11300308	THROAT PLATE				1.00
38	11018603	ARM THREAD GUIDE B				1.00
39	SS6110610TP	SCREW 11/64-40 L=6				1.00
40	TA1250406R0	RUBBER PLUG D=12.5 L=4				2.00
41	SS4121015SP	SCREW 3/16-28 L=10				3.00
42	11001658	BED SLIDE ASM.				1.00
43	B1110012000	SLIDE PLATE		*		1.00
44	11001609	BED SLIDE SPRING		*		1.00
45	SS6060210SP	SCREW 3/32-56 L= 1.9		*		2.00
46	11001104	BED SCREW STUD				4.00
47	11305513	ARM THREAD GUIDE, C				1.00
48	B31334150A0	TENSION RELEASE PIN CAP				1.00
49	B3136415000	CAP RING				1.00
50	TA0850604R0	RUBBER PLUG				1.00

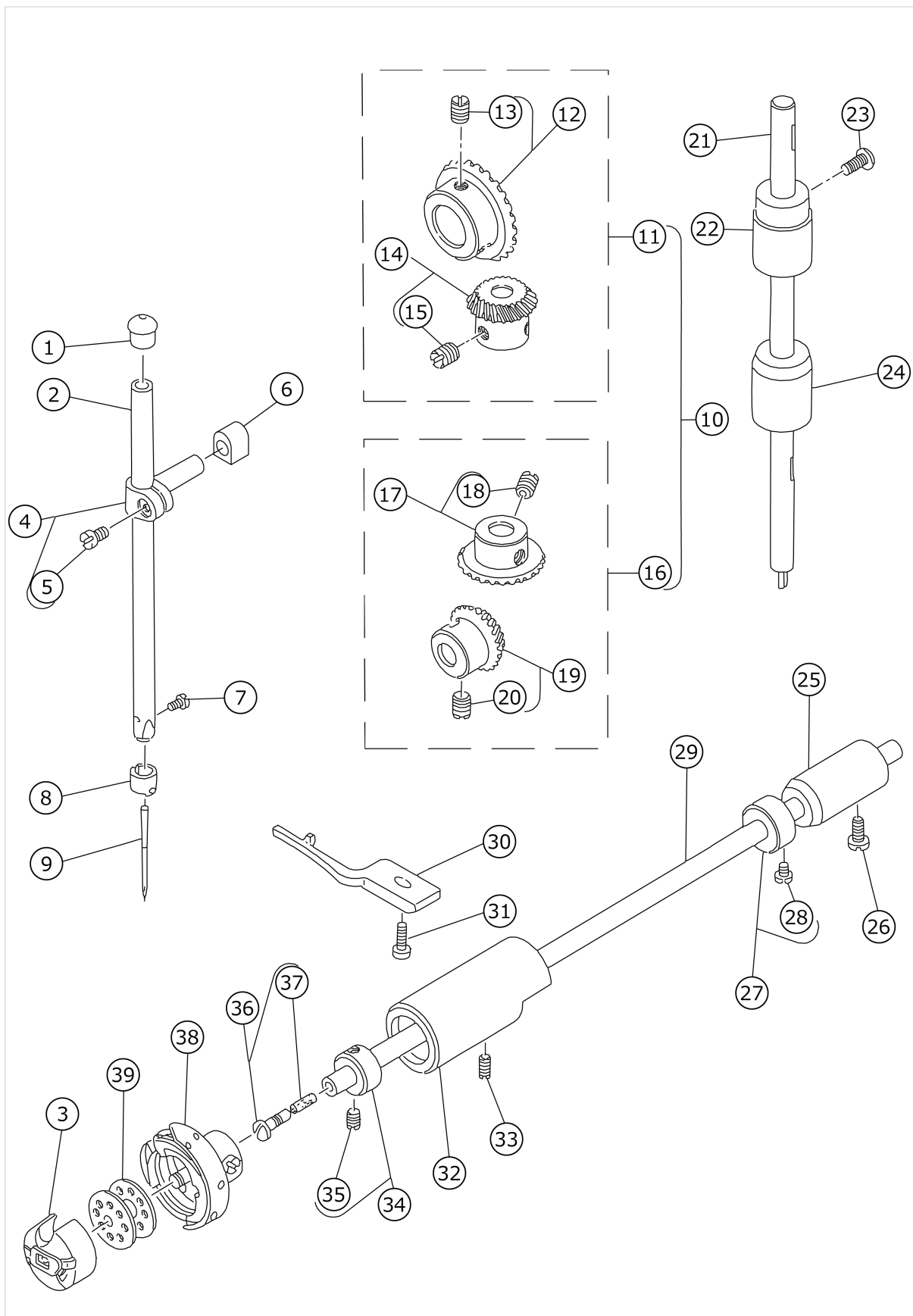
51	TA1250504R0	RUBBER PLUG				1.00
52	TA2101002R0	RUBBER PLUG				1.00
53	NS6090310SP	NUT 9/64-40				1.00

MAIN SHAFT COMPONENTS



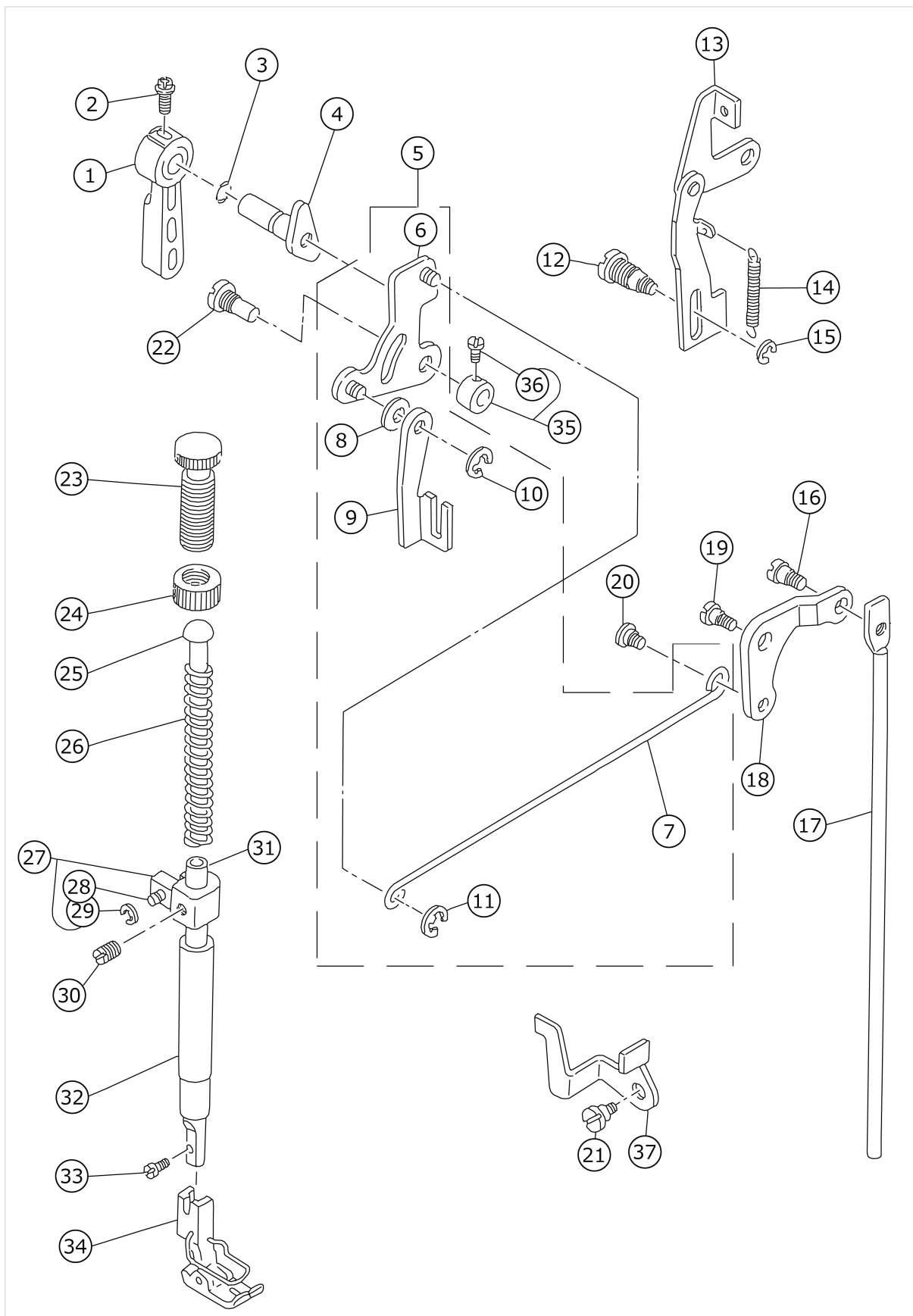
No.	品番	品名	備考	子部品	消耗品	個数
1	SS8151150SP	SCREW 15/64-28 L=10.5				1.00
2	11017357	THREAD TAKE-UP CRANK SHAFT ASM				1.00
3	B1909505000	RUBBER				1.00
4	11039070	THREAD TAKE-UP LEVER ASM.				1.00
5	11039062	THREAD TAKE-UP LEVER ASM.		*		1.00
6	B1905541B00	NEEDLE BEARING	SELECTIVE PART	*		2.00
7	11005204	NEEDLE BAR CRANK		*		1.00
8	B1408552000	NEEDLE BAR CRANK ROD		*		1.00
9	B1903552000	LEFT SCREW		*		1.00
10	11002169	COUNTERWEIGHT ASM.				1.00
11	SS8681650TP	SCREW 9/32-28 L=16		*		1.00
12	SS8660610TP	SCREW 1/4-40 L=6		*		2.00
13	RO044240100	RUBBER RING		*		1.00
14	SS7681650TP	SCREW 9/32-28 L=16		*		1.00
15	11002102	COUNTERWEIGHT		*		1.00
16	11302353	FEED DRIVE ECCENTRIC CAM ASM.				1.00
17	SS6661110SP	SCREW 1/4-40 L=11		*		2.00
18	11302304	FEED DRIVE ECCENTRIC CAM		*		1.00
19	SS6090650SP	SCREW 9/64-40 L=6				2.00
20	11002805	MAIN SHAFT BUSHING, REAR				1.00
21	11002508	OIL SEAL				1.00
22	RC1850001KP	SNAP RING 18.5				1.00
23	CS147121ASH	THRUST COLLAR ASM.D=14.72 W=12				1.00
24	SS8660610TP	SCREW 1/4-40 L=6		*		2.00
25	11300902	BUSHING, FRONT				1.00
26	SS8150912TH	SCREW 15/64-28 L=9				1.00
27	11202306	BUSHING, INTERMEDIATE				1.00
28	11008109	THRUST COLLAR				1.00
29	11002656	FLY WHEEL				1.00
30	SS8151550SP	SCREW 15/64-28 L=15		*		2.00
31	11002003	MAIN SHAFT				1.00
32	11002904	ROLLER FELT				1.00
33	B12135520A0A	OIL AMOUNT ADJUSTING PIN ASM.				1.00
34	RO029180100	RUBBER RING				1.00

NEEDLE BAR, UPRIGHT SHAFT & HOOK DRIVING SHAFT COMPONENTS



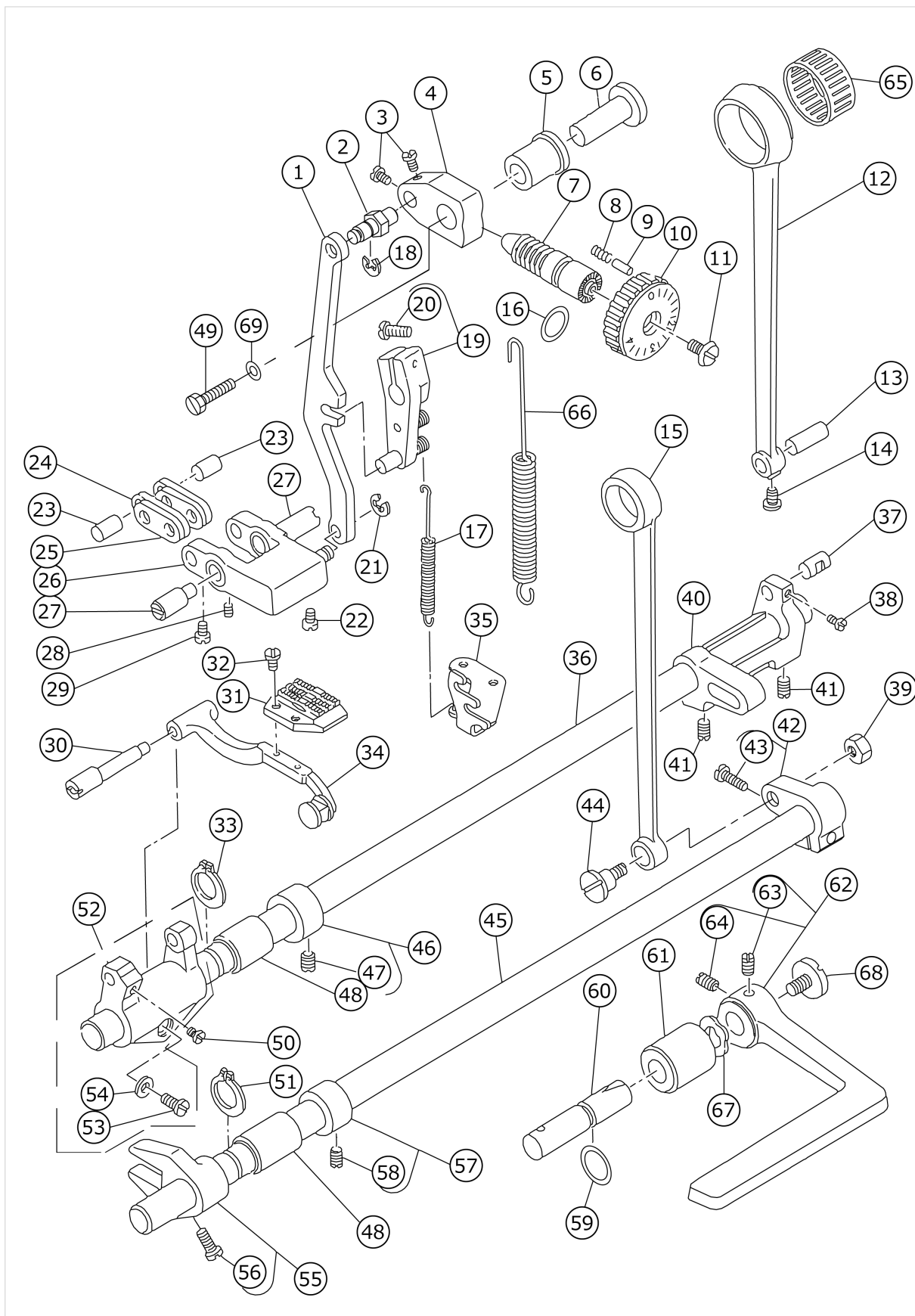
No.	品番	品名	備考	子部品	消耗品	個数
1	TA1250804R0	RUBBER PLUG				1.00
2	11301009	NEEDLE BAR, A				1.00
3	B18370120A0	BOBBIN CASE ASM.				1.00
4	B14115520A0	NEEDLE ROD HOLDER ASM.				1.00
5	SS6090670TP	SCREW 9/64-40 L=6		*		1.00
6	B1414226000	SLIDE BLOCK				1.00
7	SS7080510TP	SCREW 1/8-44 L=4.5				1.00
8	B1418552A00	NEEDLE THREAD GUIDE A				1.00
9	MDB100B1400	NEEDLE DBX1 #14				1.00
10	B13061550C0	GEAR & PINION ASM.				1.00
11	B13061550B0	GEAR & PINION ASM., UPPER		*		1.00
12	B13050120A0	GEAR ASM.		*		1.00
13	SS8660810TP	SCREW 1/4-40 L=8		*		2.00
14	B13061550A0	PINION ASM.		*		1.00
15	SS8660810TP	SCREW 1/4-40 L=8		*		2.00
16	B13071550B0	GEAR & PINION ASM., LOWER		*		1.00
17	B13071550A0	GEAR ASM. LARGE		*		1.00
18	SS8660810TP	SCREW 1/4-40 L=8		*		2.00
19	B13081550A0	PINION ASM.		*		1.00
20	SS8660810TP	SCREW 1/4-40 L=8		*		2.00
21	11004009	UPRIGHT SHAFT				1.00
22	11004306	BUSHING, UPPER				1.00
23	SS4120915SP	SCREW 3/16-28 L=9				1.00
24	11004207	UPRIGHT SHAFT BUSHING, LOWER				1.00
25	11015807	BUSHING, REAR				1.00
26	SS4120915SP	SCREW 3/16-28 L=9				1.00
27	CS079101ASH	THRUST COLLAR ASM. D=7.94 W=10				1.00
28	SS6110420TP	SCREW 11/64-40 L=4.8		*		2.00
29	11015005	HOOK DRIVING SHAFT				1.00
30	11038809	BOBBIN CASE HOLDER				1.00
31	SS6111010SP	SCREW 11/64-40 L= 9.5				1.00
32	11015104	BUSHING ASM., FRONT				1.00
33	SS8150432TH	SCREW 15/64-28 L=4				1.00
34	CS079073ASH	THRUST COLLAR ASM.				1.00
35	SS8110410TP	SCREW 11/64-40 L= 3.5		*		2.00
36	B18085520A0	OIL SEAL SCREW ASM.				1.00
37	B1810552000	OIL WICK		*		1.00
38	B18304150A0	HOOK ASM.				1.00
39	B9117012000	BOBBIN				1.00

HAND LIFTER COMPONENTS



No.	品番	品名	備考	子部品	消耗品	個数
1	B1520552000A	HAND LIFTER				1.00
2	B1521555000	SCREW				1.00
3	RO037180100	RUBBER RING				1.00
4	11006756	HAND LIFTER CAM ASM.				1.00
5	11301652	LIFTING LEVER ASM.				1.00
6	11006350	HAND LIFTER LINK		*		1.00
7	11006905	LIFTING LEVER CONNECTING ROD		*		1.00
8	WP0650876SD	WASHER 6.5X13X0.8		*		1.00
9	11301603	LIFTING LEVER		*		1.00
10	RE0500000K0	E-RING		*		1.00
11	RE0500000K0	E-RING		*		1.00
12	11306107	TENSION RELEASE PLATE SHAFT				1.00
13	11305653	TENSION RELEASE PLATE ASM.				1.00
14	11305901	SPRING				1.00
15	RE0300000K0	E-RING 3				1.00
16	SD0600322SD	HINGE SCREW D=6 H=3.2				1.00
17	11205408	CONNECTING ROD				1.00
18	11205309	LIFTING LEVER LINK				1.00
19	SD0720331SP	HINGE SCREW D= 7.24 H= 3.3				1.00
20	11007101	HINGE SCREW				1.00
21	SD0640261SP	HINGE SCREW D=3.65 H=2.6				1.00
22	11301702	LINK SHAFT				1.00
23	B1509555000	PRESSER SPRING REGULATOR				1.00
24	B1511555000	NUT				1.00
25	B1510227000	PRESSER GUIDE BAR				1.00
26	B1505227000A	PRESSER SPRING				1.00
27	11301355	NEEDLE BAR GUIDE BRACKET ASM.				1.00
28	11301405	PIN		*		1.00
29	RE0300000K0	E-RING 3		*		2.00
30	SS8660610TP	SCREW 1/4-40 L=6				1.00
31	B1501127000	PRESSER BAR				1.00
32	B1502541000	PRESSER BAR BUSHING, LOWER				1.00
33	SS7091110SP	SCREW 9/64-40 L=10.5				1.00
34	D1524415BBA	PRESSER FOOT ASM.				1.00
35	CS064061ASP	THRUST COLLAR ASM.				1.00
36	SS7090620TP	SCREW 9/64-40 L=6.1		*		1.00
37	11305703	TENSION RELEASE LINK, A				1.00

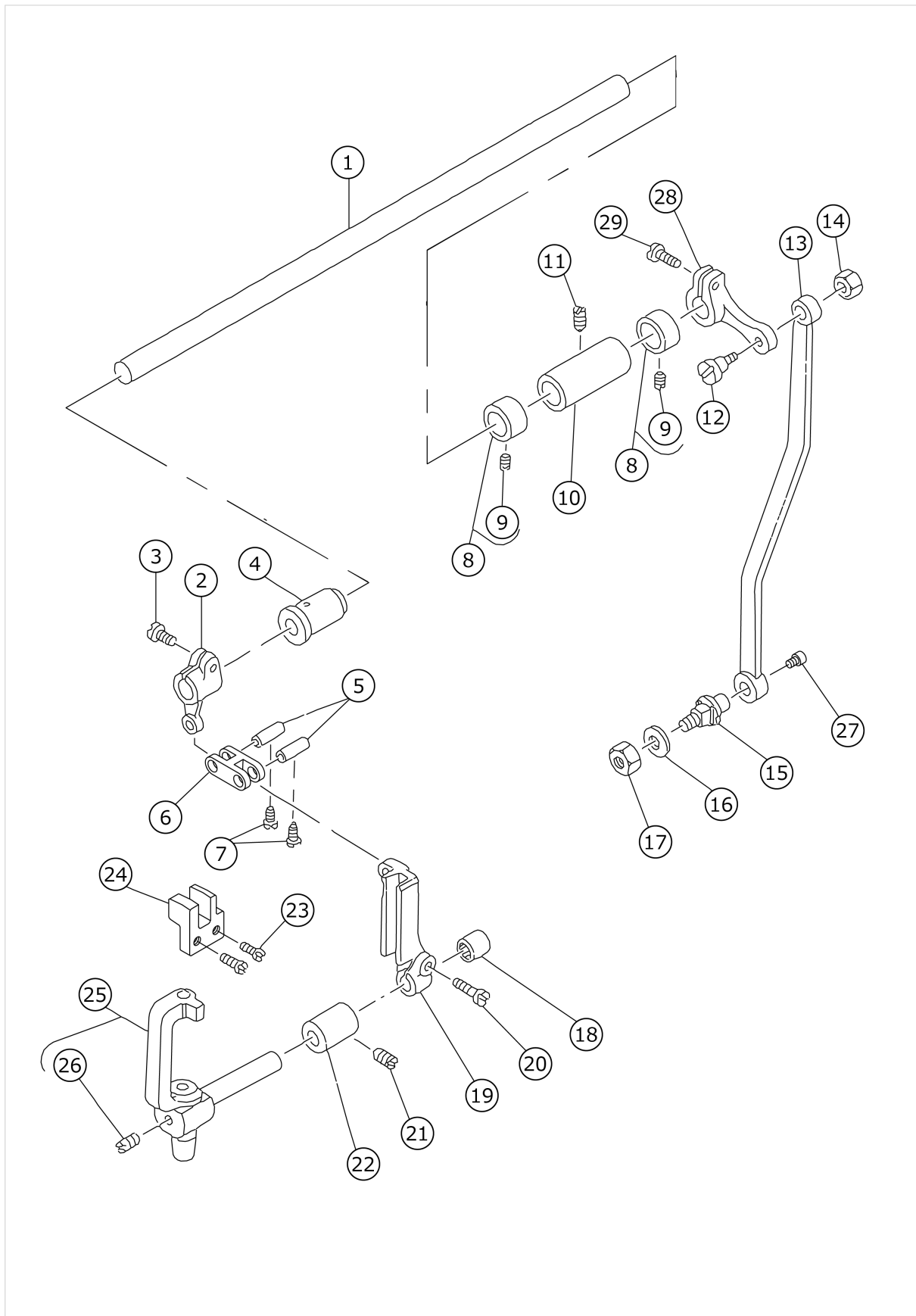
FEED MECHANISM COMPONENTS



No.	品番	品名	備考	子部品	消耗品	個数
1	11302106	FEED ADJUST ROD				1.00
2	11302817	PIN				1.00
3	SS6090560TP	SCREW 9/64-40 L=4.5				2.00
4	11303328	FEED REGULATOR BUSHING				1.00
5	11011509	FEED REGULATOR BUSHING				1.00
6	11385127	FEED REGULATOR SHAFT				1.00
7	11009909	FEED REGULATOR SCREW				1.00
8	B1148555000	SPRING				1.00
9	11052701	PIN				1.00
10	11302007	FEED REGULATOR				1.00
11	SS6120930TP	SCREW 3/16-28 L=9				1.00
12	11302411	ROCKER SHAFT CONNECTING ROD				1.00
13	11009206	WALKING FOOT PIN C				1.00
14	SS6090620SP	SCREW 9/64-40 L=6				1.00
15	11014008	CONNECTING ROD				1.00
16	RO092270200	RUBBER RING				1.00
17	11305000	SPRING				1.00
18	RE0500000K0	E-RING				1.00
19	11302254	FEED REVERSE ARM ASM.				1.00
20	SS6121250TP	SCREW 3/16-28 L=11.5		*		1.00
21	RE0500000K0	E-RING				1.00
22	SS6151220SP	SCREW 15/64-28 L=11.5				1.00
23	11009008	WALKING FOOT PIN A				2.00
24	11303005	CONNECTING LINK, B				2.00
25	11302908	CONNECTING LINK, A				2.00
26	11303161	FEED ADJUST LINK ASM.				1.00
27	11008802	ADJUSTING LINK FULCRUM SHAFT A				2.00
28	SS8150710SP	SCREW 15/64-28 L=7				1.00
29	SS6090620SP	SCREW 9/64-40 L=6				2.00
30	11011103	FEED BAR SHAFT				1.00
31	D1609415B00	FEED DOG				1.00
32	SS4080620TP	SCREW 1/8-44 L=6				2.00
33	RC0150001KP	RETAINING RING 13.8				1.00
34	11011251	FEED BAR ASM.				1.00
35	11301900	FEED SPRING HOOK				1.00
36	11010808	FEED ROCKER SHAFT				1.00
37	11009107	WALKING FOOT PIN B				1.00
38	SS6090620SP	SCREW 9/64-40 L=6				1.00
39	NS6680410SP	NUT 9/32-28				1.00
40	11302502	FEED ROCKER SHAFT CRANK				1.00
41	SS8681130SP	SCREW 9/32-28 L=11				2.00
42	11014156	REAR CRANK ASM.				1.00
43	SS7121610SP	SCREW 3/16-28 L=15.5		*		1.00
44	SD1000801SH	HINGE SCREW D=10 H=8				1.00
45	11014206	FEED DRIVING SHAFT				1.00
46	CS147121ASH	THRUST COLLAR ASM.D=14.72 W=12				1.00
47	SS8660610TP	SCREW 1/4-40 L=6		*		2.00
48	11010907	FEED ROCKER SHAFT BUSHING				2.00
49	SS9661120CP	SCREW 1/4-40 L=10.5				1.00
50	SS7110740TP	SCREW 11/64-40 L=7				1.00

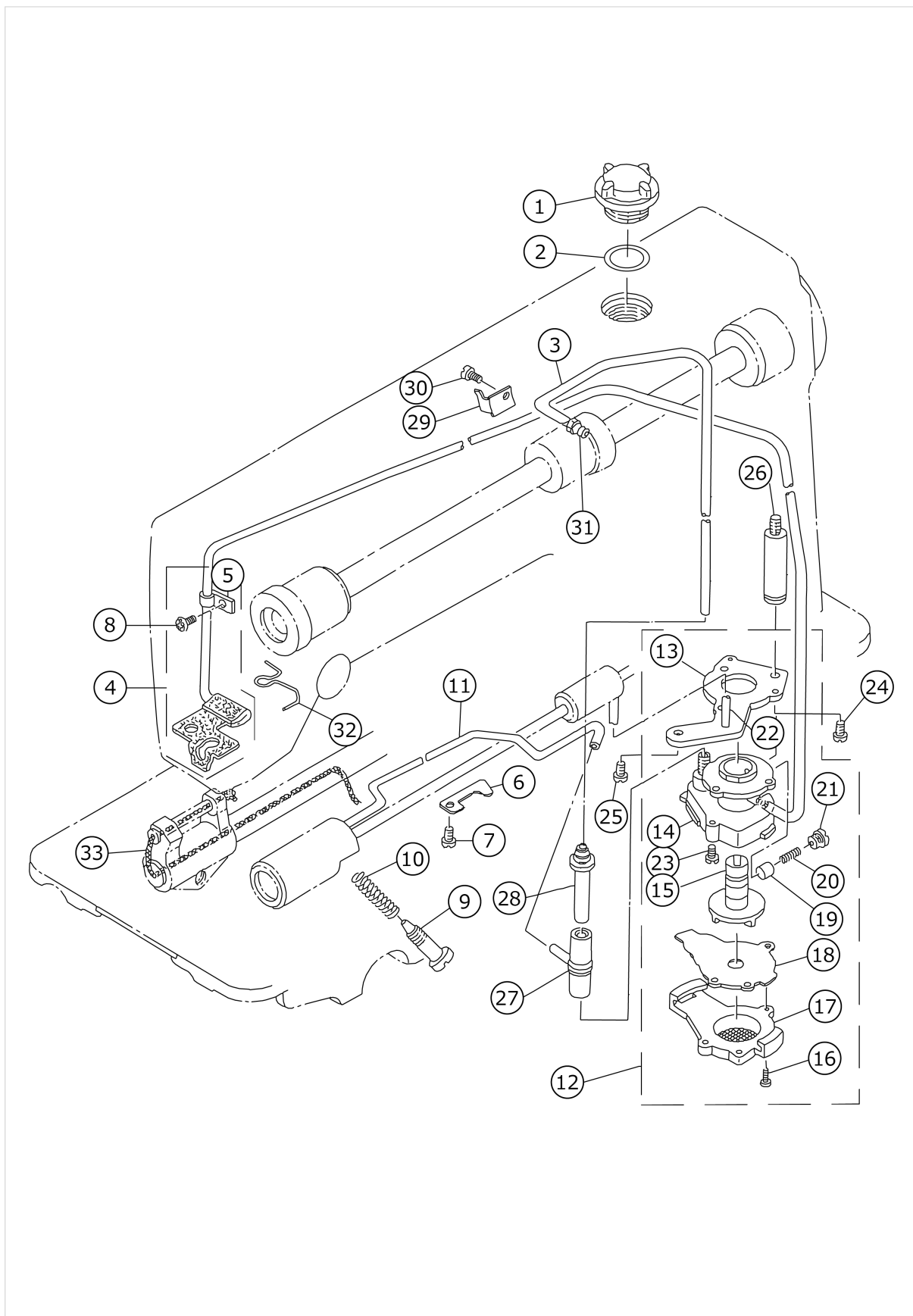
51	RC0150001KP	RETAINING RING 13.8				1.00
52	11011053	FEED ROCKER ASM.				1.00
53	SS7121410TP	SCREW 3/16-28 L=14		*		1.00
54	WP0480856SP	WASHER 4.8X8.4X0.8		*		1.00
55	11014354	DRIVING SHAFT CRANK ASM.				1.00
56	SS7111120SP	SCREW 11/64-40 L=10.5		*		1.00
57	CS147121ASH	THRUST COLLAR ASM.D=14.72 W=12				1.00
58	SS8660610TP	SCREW 1/4-40 L=6		*		2.00
59	RO078190100	RUBBER RING				1.00
60	11053105	FEED REVERSE SHAFT				1.00
61	11010709	FEED LEVER METAL		*		1.00
62	11010659	REVERSE FEED CONTROL LEVER ASM				1.00
63	SS8661040TP	SCREW 1/4-40 L=10		*		1.00
64	SS8661030SP	SCREW 1/4-40 L=10		*		1.00
65	B1636581C00	NEEDLE BEARING	SELSECTIVE PART			1.00
66	11302619	SPRING				1.00
67	WZ1250300K0	WAVED WASHER 12.5X17X0.3				1.00
68	SS7620750SP	SCREW 3/16-32 L= 6.5				1.00
69	WP0702026SP	WASHER 7X15X2				1.00

NEEDLE BAR FRAME COMPONENTS



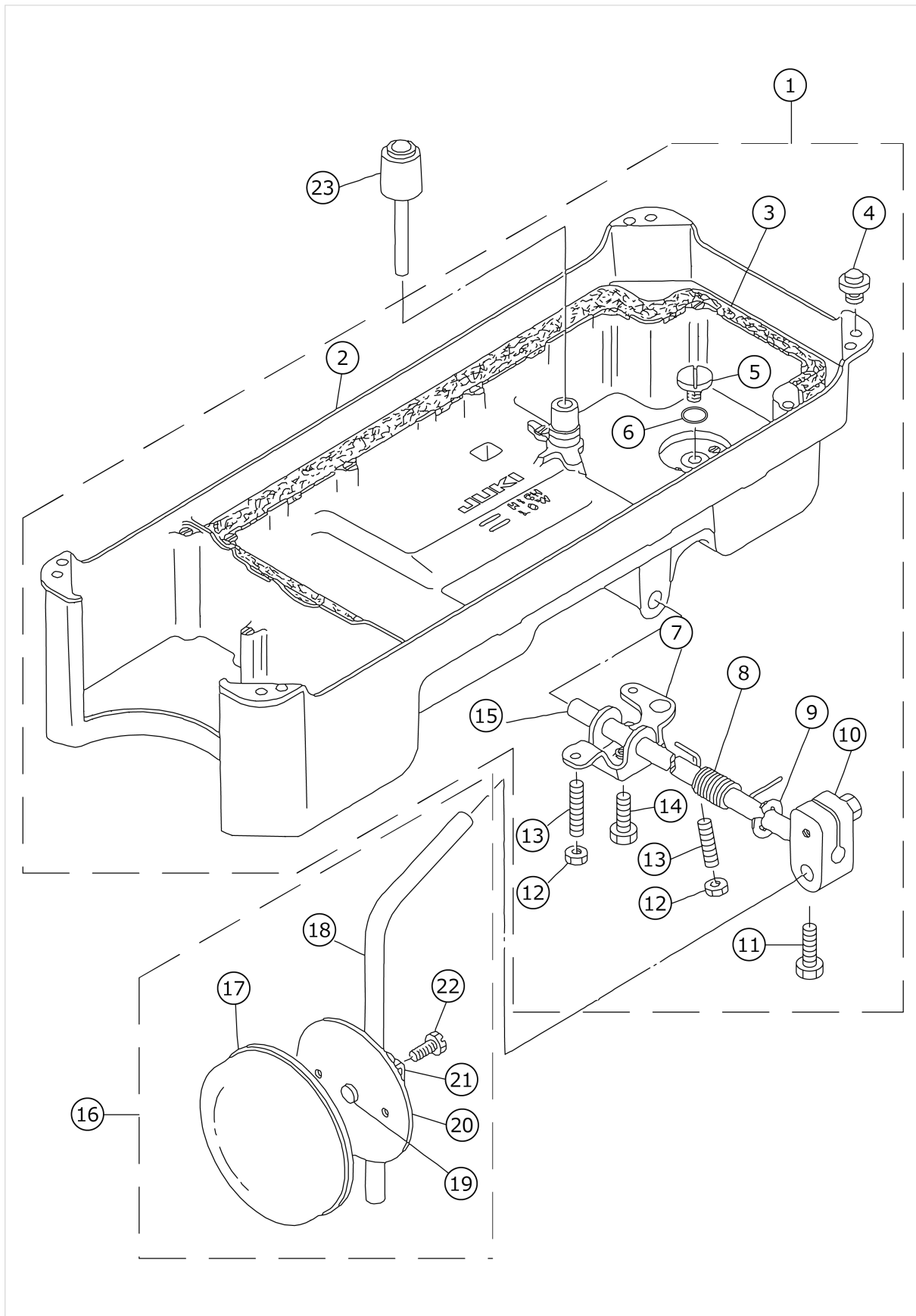
No.	品番	品名	備考	子部品	消耗品	個数
1	11304409	CONNECTING SHAFT				1.00
2	11304003	DRIVING CRANK, FRONT				1.00
3	SS6121220TP	SCREW 3/16-28 L=11.5				1.00
4	11211000	ROCK SHAFT BUSHING, FRONT				1.00
5	B1412352B00	NEEDLE BAR LINK PIN	SELECTIVE PART			2.00
6	B2906415000	DRIVING LINK				1.00
7	SS6090660TP	SCREW 9/64-40 L=6				2.00
8	CS120101BSH	THRUST COLLAR ASM.				2.00
9	SS8660410SP	SCREW 1/4-40 L= 4.2		*		4.00
10	11210903	ROCK SHAFT BUSHING, REAR				1.00
11	SS8120740SP	SCREW 3/16-28 L=7				1.00
12	SD0790501SP	HINGE SCREW D=7.94 H=5				1.00
13	11304201	CONNECTING ROD				1.00
14	NS6150310SP	NUT 15/64-28				1.00
15	11304300	CONNECTING ROD SHAFT				1.00
16	WP0621016SD	WASHER 6.2X13X1				1.00
17	NS6150430SP	NUT 15/64-28				1.00
18	SB309000400	BEARING				1.00
19	11303807	SLIDE BLOCK GUIDE				1.00
20	SS6121610SP	SCREW 3/16-28 L=15.5				1.00
21	SS8120740SP	SCREW 3/16-28 L=7				1.00
22	11214509	BUSHING				1.00
23	SS6090810SP	SCREW 9/64-40 L= 7.5				2.00
24	11303906	NEEDLE BAR FRAME GUIDE				1.00
25	11303567	NEEDLE ROD ROCKING BASE ASM.				1.00
26	SS8110310SP	SCREW 11/64-40 L= 2.8		*		1.00
27	SS6110640SP	SCREW 11/64-40 L=6				1.00
28	11304102	DRIVING CRANK, REAR				1.00
29	SS6121220TP	SCREW 3/16-28 L=11.5				1.00

OIL LUBRICATION COMPONENTS



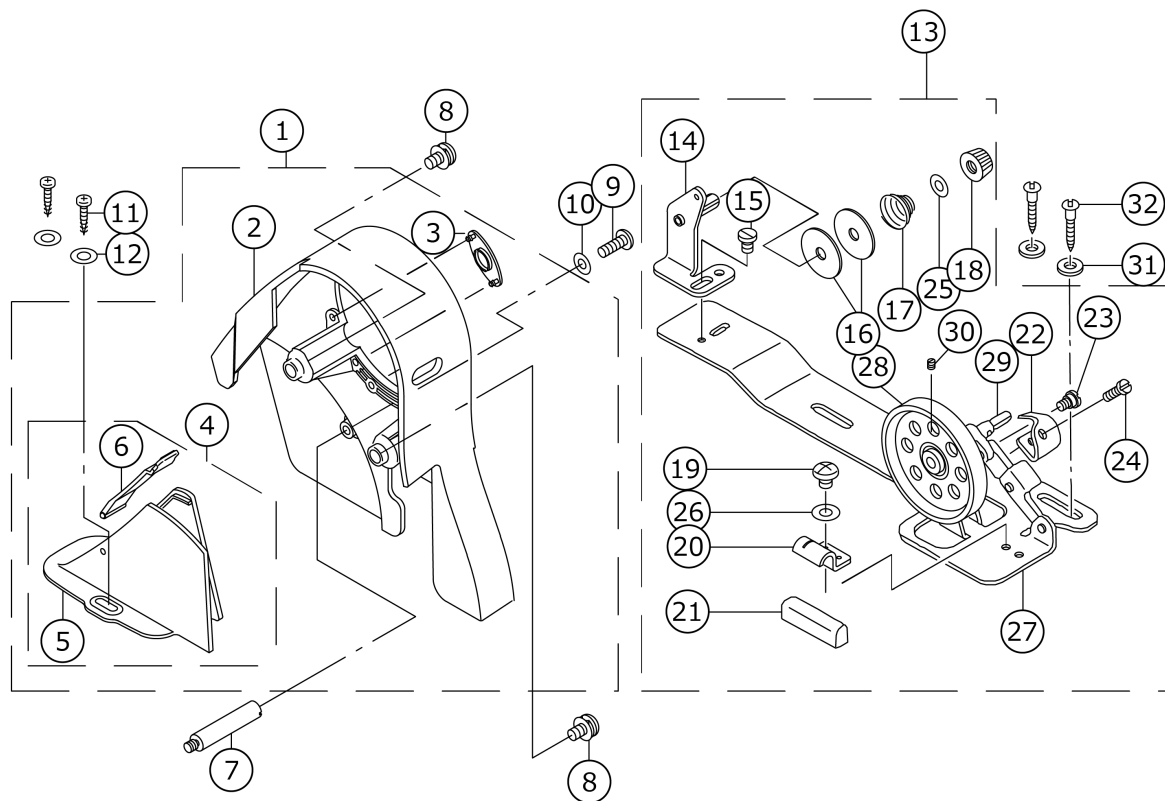
No.	品番	品名	備考	子部品	消耗品	個数
1	B3530555000	OIL SIGHT WINDOW				1.00
2	RO195240100	RUBBER RING				1.00
3	BT0600402EA	OIL TUBE				0.26
4	11307154	OIL RETURN TUBE ASM.				1.00
5	B3536122000	HOLDER		*		1.00
6	11021706	TUBE HOLDER (LOWER)				1.00
7	SS4120615SP	SCREW 3/16-28 L=6				1.00
8	SS4120615SP	SCREW 3/16-28 L=6				1.00
9	B3514412000	OIL ADJUSTING SCREW				1.00
10	B2616372000	SPRING				1.00
11	11307352	OIL WICK ASM.				1.00
12	11020054	LUBRICATING OIL PUMP ASM.				1.00
13	11020302	OIL PUMP INSTALLING BASE		*		1.00
14	11020005	OIL PUMP		*		1.00
15	11020708	OIL PUMP IMPELLER		*		1.00
16	SE4301041SR	SCREW D=3 L=10		*		3.00
17	11020203	LUBRICATING OIL PUMP COVER		*		1.00
18	11020807	OIL PUMP IMPELLER COVER		*		1.00
19	11020401	PLUNGER		*		1.00
20	11020609	PLUNGER SPRING		*		1.00
21	11020500	PLUNGER SCREW		*		1.00
22	11020906	HOOK DRIVING SHAFT OIL TUBE		*		1.00
23	SL4030851SF	SCREW M3 L=8		*		3.00
24	SS6111010TP	SCREW 11/64-40 L= 9.5				1.00
25	SS4150915SP	SCREW 15/64-28 L=9				1.00
26	11392107	OIL PUMP SUPPORT				1.00
27	11021409	RUBBER JOINT				1.00
28	11221504	OIL TUBE JOINT				1.00
29	11222007	HOLDER				1.00
30	SS6080340SP	SCREW 1/8-44 L=2.9				1.00
31	SQ1150501SD	CONNECTING SCREW				1.00
32	11307006	OIL FELT PRESSER				1.00
33	CQ252000000	OIL WICK				0.21

OIL RESERVOIR COMPONENTS



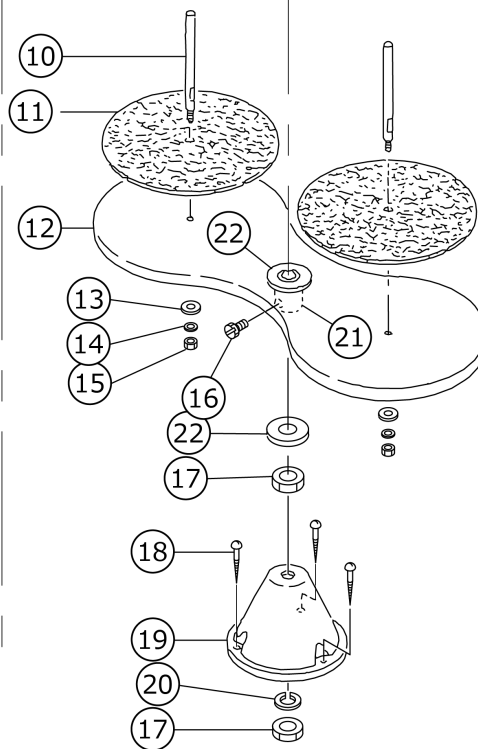
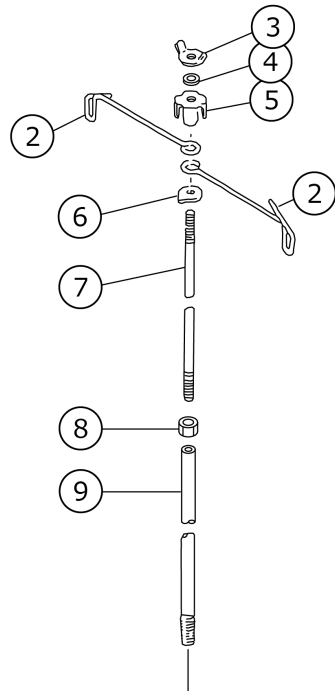
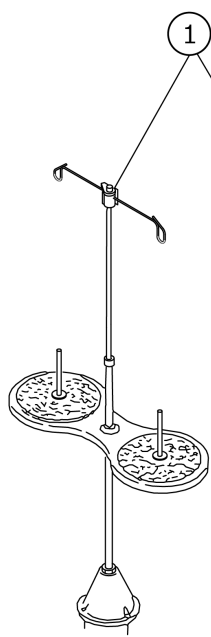
No.	品番	品名	備考	子部品	消耗品	個数
1	11047057	OIL RESERVOIR ASM.				1.00
2	11023017	OIL RESERVOIR		*		1.00
3	11024700	GASKET		*		1.00
4	11047107	RUBBER CUSHION		*		4.00
5	SS6700710SH	SCREW 5/16-24 L=7		*		1.00
6	RO98240100	RUBBER RING		*		1.00
7	11024015	CONNECTING ROD, VERTICAL		*		1.00
8	11024106	SPRING		*		1.00
9	RE1000000K0	E-RING 10		*		1.00
10	11024510	BRACKET		*		1.00
11	SM9062053SR	SCREW M6 L=20		*		2.00
12	NM6060001SE	NUT M6		*		2.00
13	SM8063012TR	SCREW M6 L=30		*		2.00
14	SM9061853SR	SCREW M6 L=17.5		*		1.00
15	11024205	KNEE PRESS ROD		*		1.00
16	11023751	KNEE PRESS PLATE ASM.				1.00
17	B3431552000A	KNEE PRESS PLATE COVER		*		1.00
18	B3419122000	KNEE LIFTER PLATE ROD		*		1.00
19	11024403	RUBBER		*		1.00
20	11023702	KNEE PRESS PLATE		*		1.00
21	11023801	KNEE PRESS PLATE HOLDER		*		1.00
22	SM9061203SE	SCREW M6 L=12		*		1.00
23	11024304	KNEE PRESS LIFTER ROD				1.00

BELT COVER & BOBBIN COMPONENTS



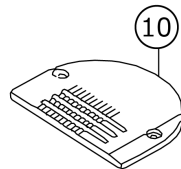
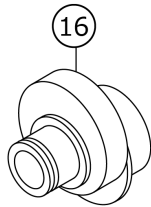
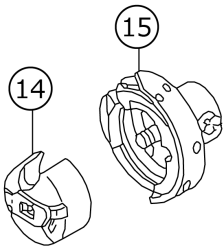
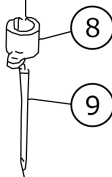
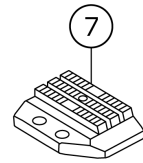
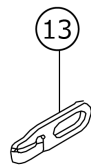
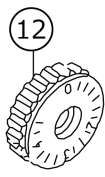
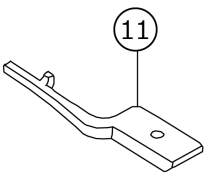
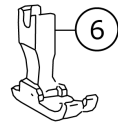
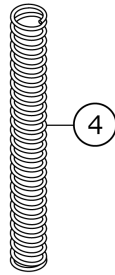
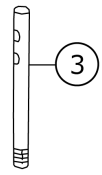
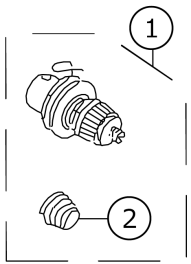
No.	品番	品名	備考	子部品	消耗品	個数
1	11025053	BELT COVER ASM. (BLACK)				1.00
2	11025004	BELT COVER A		*		1.00
3	11025103	BELT COVER A CAP		*		1.00
4	11025350	BELT COVER B JUNCTION		*		1.00
5	11025301	BELT COVER B		*		1.00
6	11025459	BELT COVER B COVER ASM.		*		1.00
7	11023504	BELT COVER SUPPORT, A				1.00
8	11025202	BELT COVER A SCREW				2.00
9	SS4121415SP	SCREW 3/16-28 L=14				1.00
10	WP0501016SD	WASHER 5X10.5X1				1.00
11	SK3412000SC	WOOD SCREW D=4.1 L=20				1.00
12	WP0450826SC	WASHER 4.5X10X0.8				2.00
13	11077567	BOBBIN WINDER COMPL.				1.00
14	11078250	THREAD TENSION BRACKET ASM.		*		1.00
15	SS7110840SP	SCREW 11/64-40 L=7.8		*		1.00
16	B3126012000	THREAD TENSION DISK		*		2.00
17	B3129012B00	THREAD TENSION SPRING		*		1.00
18	11072204	TENSION NUT		*		1.00
19	SS4110515SP	SCREW 11/64-40 L=5		*		1.00
20	11078102	PRESSER PLATE		*		1.00
21	B3211555000	RUBBER BRAKE		*		1.00
22	11078003	POSITIONING FINGER		*		1.00
23	SD0490261SP	HINGE SCREW D=4.9 H=2.6		*		1.00
24	SS7081310SP	SCREW 1/8-44 L=12.5		*		1.00
25	WP0651001SB	WASHER		*		1.00
26	WP0480856SP	WASHER 4.8X8.4X0.8		*		1.00
27	11077500	BOBBIN BASE		*		1.00
28	11077609	BOBBIN PULLEY		*		1.00
29	B3204555000	BOBBIN WINDER POST		*		1.00
30	SS8110510SP	SCREW 11/64-40 L=5		*		1.00
31	WP0450826SC	WASHER 4.5X10X0.8				2.00
32	SK3412000SC	WOOD SCREW D=4.1 L=20				2.00

THREAD STAND COMPONENTS



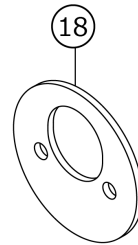
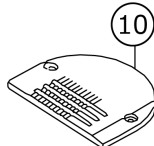
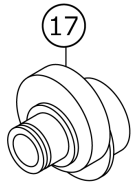
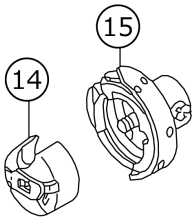
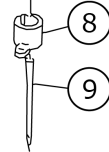
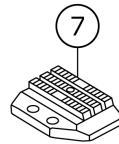
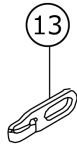
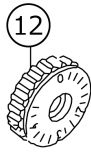
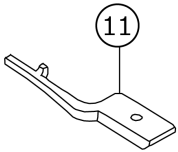
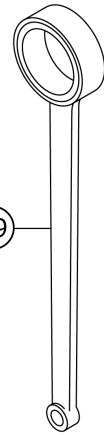
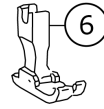
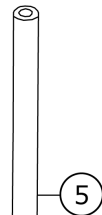
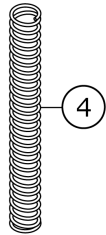
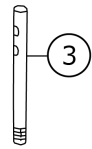
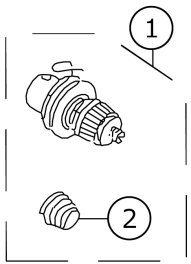
No.	品番	品名	備考	子部品	消耗品	個数
1	11181054	THREAD STAND ASM.				1.00
2	B3307012000	THREAD GUIDE		*		2.00
3	B3310012000	POSITION CUP SET SCREW		*		1.00
4	WS0641560KR	SPRING WASHER 6.4X11.9X1.5		*		1.00
5	B3309012000	POSITION CUP		*		1.00
6	B3308012000	ROD WASHER		*		1.00
7	B3306012000	SPOOL ROD		*		1.00
8	NM6061061SE	NUT M6		*		1.00
9	B3302012000	SPOOL REST ROD		*		1.00
10	B3305012000	SPOOL PIN		*		2.00
11	B3311012000	SPOOL REST CUSHION		*		2.00
12	11181104	SPOOL REST		*		1.00
13	WP0560860SE	WASHER 5.6X12X0.8		*		2.00
14	WS0531060KR	SPRING WASHER 5.3X8.3X1		*		2.00
15	NS6123881SE	NUT 3/16-28		*		2.00
16	SM9061080SE	SCREW M6 L=10		*		1.00
17	NM6100663SE	NUT M10		*		2.00
18	SK3452000SE	WOOD SCREW D=4.5 L=20		*		3.00
19	11181005	THREAD STAND		*		1.00
20	WS1002560KR	SPRING WASHER 10X18X2.5		*		1.00
21	11181203	SPOOL REST BASE		*		1.00
22	WP1401669ST	WASHER 14X29X1.6		*		2.00

EXCLUSIVE PARTS FOR DLN-5410H



No.	品番	品名	備考	子部品	消耗品	個数
1	11092152	THREAD TENSION ASM				1.00
2	B3114232000	THREAD TENSION SPRING		*		1.00
3	B1114012000	THREAD GUIDE PIN				1.00
4	B1505552000A	PRESSER SPRING				1.00
5	11320801	NEEDLE BAR				1.00
6	B1524041E00	PRESSER FOOT ASM.				1.00
7	11322203	FEED DOG, H				1.00
8	B1418415H00	NEEDLE BAR THREAD GUIDE				1.00
9	MDB100B2200	NEEDLE DBX1 #22				1.00
10	B1109415H0B	THROAT PLATE (H)				1.00
11	11091709	POSITIONING FINGER				1.00
12	11322500	FEED DIAL				1.00
13	11091006	ARM THREAD GUIDE (HA)				1.00
14	11038759	BOBBIN CASE ASM.				1.00
15	11321452	LUBRICATING HOOK ASM.				1.00
16	11322401	FEED ECCENTRIC CAM H				1.00

EXCLUSIVE PARTS FOR DLN-5410L



No.	品番	品名	備考	子部品	消耗品	個数
1	11092152	THREAD TENSION ASM				1.00
2	B3114232000	THREAD TENSION SPRING		*		1.00
3	B1114012000	THREAD GUIDE PIN				1.00
4	B1505552000A	PRESSER SPRING				1.00
5	11320801	NEEDLE BAR				1.00
6	B1524415LB0	PRESSER FOOT ASM.				1.00
7	11322203	FEED DOG, H				1.00
8	B1418415H00	NEEDLE BAR THREAD GUIDE				1.00
9	MDB100B2200	NEEDLE DBX1 #22				1.00
10	B1109415H0B	THROAT PLATE (H)				1.00
11	11091709	POSITIONING FINGER				1.00
12	11326451	FEED DIAL ASM.				1.00
13	11091006	ARM THREAD GUIDE (HA)				1.00
14	D1837415DAL	BOBBIN CASE ASM.				1.00
15	11321452	LUBRICATING HOOK ASM.				1.00
16	SS6121050SP	SCREW 3/16-28 L= 9.5				1.00
17	11324001	FEED DRIVE ECCENTRIC CAM				1.00
18	11324209	THRUST COLLAR				1.00
19	11324100	ROCKER SHAFT CONNECTING ROD				1.00

HOW TO MAKE USE OF THIS PARTS LIST

1.As to "#01" and "#02" refer to the "Note" given at the bottom of the respective pages.

2.Codes on the "Qty" column

- Each numeral indicates the number of parts required.
- "0.1" and "2.5" indicate the length (in meters) of the respective parts.

3.Parentheses mean that the corresponding part is a subpart that constructs an assembly part.

4.Dotted lines on the Figures indicate assembly parts.

1. リストページの# 0 1、# 0 2の印は、ページ下の"注記"の説明を参照下さい。
2. 数量欄の数字は、個数を表し、0. 1、2. 5等の数値は、長さ（単位メートル）を表します。
3. 数量欄の（ ）は、組部品を構成している子部品であることを意味します。
4. イラストページの-----枠は、組構成であることを意味します。